

24Ports Full Gigabit PoE Managed Switch

Full Gigabit L2 Management



- Provide 24* PoE Gigabit downlink Ethernet ports, 2 * Gigabit uplink optical fiber ports and 2 * Gigabit uplink Ethernet ports;
- Provide web-based layer 2 network management and PoE management by simple operation;
- 250m connection distance can be reached by setting bandwidth to 10 Mbps (maximum bitrate);
- Support high-speed data forwarding, very suitable for large flow of video data forwarding in security surveillance;
- Support recovery of IP address & user password by one key recovery button;
- Quick Installation, simple operation, convenient for wall/desk/rack installation. Quick installation, easy operation, convenient for desktop and standard 19-inch rack installation.

Introduction

The S2024-420 is a 24 ports full Gigabit managed PoE switch, which provide 24 * PoE Gigabit downlink Ethernet ports, 2* Gigabit uplink optical fiber ports and 2 * Gigabit uplink Ethernet ports. The Products support IEEE 802.3 af/at, support Web layer-2 network management and PoE management. Products are widely used in security surveillance, network engineering projects and so on.

Specification

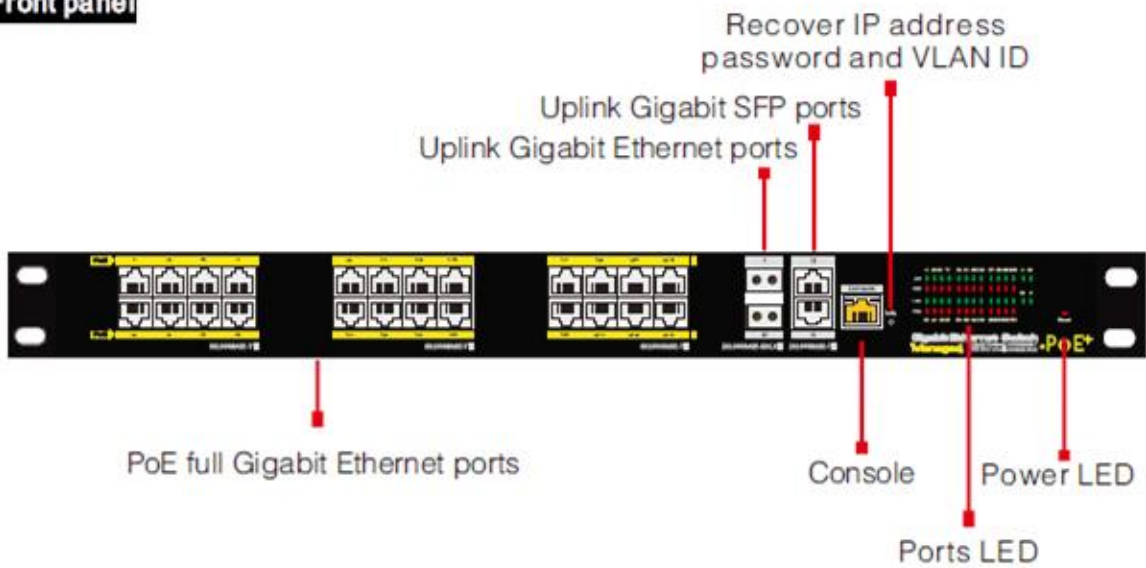
Model	S2024-420
Downstream Ports	24 * 10 / 100 / 1000Base-TX (PoE)
Uplink Ports	2 * 10 / 100 / 1000 Base-TX and 2 * Base-X/SFP
Network Standard	IEEE802.3, IEEE802.3u, IEEE802.3ab, IEEE802.3z, IEEE802.3X, IEEE802.1Q, IEEE802.1p, IEEE802.3ad
Switch Capacity	56 Gbps
Packet Forwarding Rate	41.66 Mpps
Switch Processing Scheme	Store and Transfer
Packet Buffer	12M
MAC Table	16K
PoE Standard	802.3af / at (PSE)
PSE Type	End span
Power Pin Assignment	1/2(+), 3/6(-)
PoE Power Output	PoE output of single port <30W (54 VDC); PoE output of total machine < 370W
PoE Budge	420 watts max
Lightning protection	6kV Execute: IEC61000-4-5
ESD	6kV Contact discharge 8kV Air discharge Execute: IEC61000-4-2
Power Supply	100-240 V AC @ 50/60 Hz
Power Dissipation	< 420 W (Including PoE)
Work temperature	-10 °C ~ 55 °C
Storage temperature	-40 °C ~ 85 °C
Humidity (Non-condensing)	0% - 95%
Dimension (L×W×H)	442 mm x 315 mm x 44 mm
Weight	4.35 kg
Regulator	CE, FCC, ROHS

Software parameters	
Port Management	<ul style="list-style-type: none"> • Support port enable/disable • Support port rate settings • Support port full-duplex mode • Support IEEE802.3X Flow control • Support port name change
VLAN	<ul style="list-style-type: none"> • Support 4k VLAN • Support 802.1Q protocol-based VLAN • Support port-based VLAN
QoS	<ul style="list-style-type: none"> • Support QoS • Support 8-Level priority management for switching • Support WRR • Support 820.1P and DSCP priority
Multicast Management	<ul style="list-style-type: none"> • Support SNMP V1/V2/V3 protocol • Support IGMP Snooping
PoE Management	<ul style="list-style-type: none"> • Support total power consumption control • Support PoE ON / OFF • Support Single port 60W/30W max power change and port output priority
Safety Character	<ul style="list-style-type: none"> • Support IP, MAC, port, VLAN combination and binding • Support MAC address auto-learning, aging & filter • Support port isolation, port speed-limited • Support RSTP • Support 5 groups of 8-port trunk • Support RADIUS authentication & 802.1X authentication
System Management & Maintenance	<ul style="list-style-type: none"> • Support WEB management, CLR Settings and telnet settings • Support CLR Settings • Support FTP/TFTP/HTTP web upgrading • Support flow calculate • Support MAC address form search • Support IP address, DNS server change • Support username & password change • Support history record, journal management • Support system settings backup • Support factory default settings and restart

Designation	Quantity
S2024-420	1
Power Adapter	1
Accessory	1
User Manual	1

Port configuration

Front panel



Back panel



Para más información sobre Cygnus Electronics visite: www.cygnus.la – Cygnus electronics y su respectivo logo son marcas registradas de Cygnus electronics y /o sus afiliados en la Argentina y otros países. Cualquier marca de terceros mencionada es propiedad de sus respectivos dueños.

Impreso en Argentina